



# User Manual

Spend a little Live a lot.

## **MAGINON** **SPOTTING SCOPE 20-60x60**



# Warranty conditions

Dear Customer,

The **ALDI warranty** offers you extensive benefits in addition to your statutory rights:

**Warranty period:** 3 years from date of purchase.

**Costs:** Free repair/exchange.  
No transport costs.

**Hotline:** Free hotline.

**ADVICE:** Please contact our service hotline by phone, e-mail or fax before sending in the device. This allows us to provide support in the event of possible operator errors.

## In order to make a claim under the warranty, please send us:

- the faulty item together with the original purchase receipt and the completed warranty card.
- the faulty product with all components included in the packaging.

## The warranty does not cover damage caused by:

- **Accident** or **unanticipated events** (e.g. lightning, water, fire).
- **Improper use** or **transport**.
- **Disregard of the safety** and **maintenance instructions**.
- Other **improper treatment** or **modification**.

After the expiry of the warranty period, you still have the possibility to have your product repaired at your own expense. If the repair or the estimate of costs is not free of charge you will be informed accordingly in advance.

This warranty does not affect your statutory rights. In the event that a product is received for repair, neither the service company nor the seller will assume any liability for data or settings possibly stored on the product by the customer.

## Storage

After use, apply lens caps and store at a dry location. Please avoid touching the lens with your hands.

## Disposal

The product packaging is made from recyclable material and can be recycled.

Dispose of the device in accordance with environmental regulations.

Correct disposal of product:

Do not dispose of the device in normal domestic waste.

Please use your municipal recycling and collection systems or contact your dealer from whom you purchased the product.

## Technical specification

Model:	20 - 60 x 60
Magnification:	20x - 60x
Lens $\varnothing$ :	60 mm
Field of view at 1000m:	38m at 20x to 17m at 60x
Exit pupil $\varnothing$ :	3 - 1 mm
Viewing angle:	2.2° - 1°
Weight:	Approx. 1050 g (w/o tripod)

## Manufacturer's address

**supra**

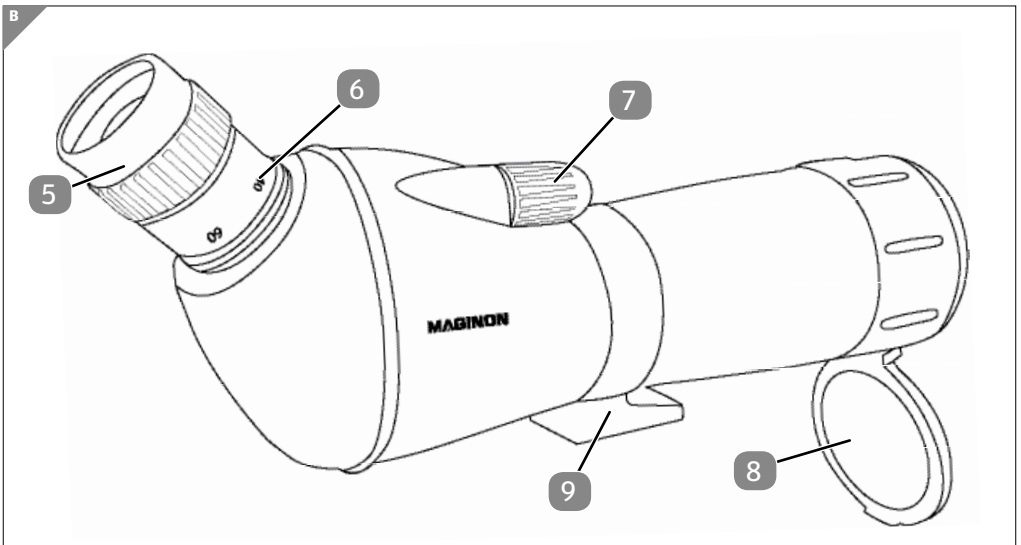
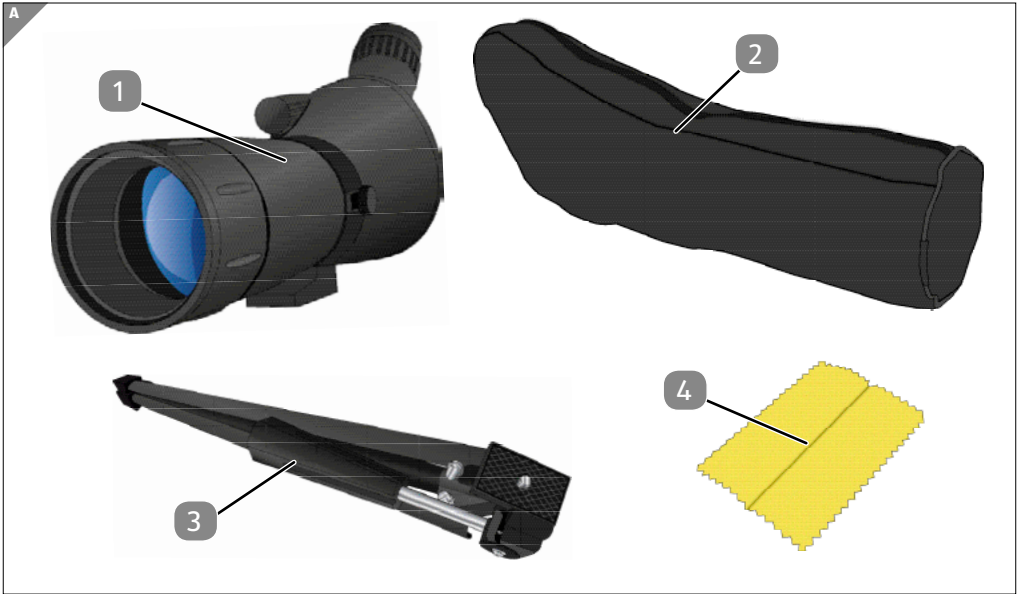
Foto-Elektronik-Vertriebs-GmbH

Denisstr. 28A

67663 Kaiserslautern

Germany





**⚠ WARNING!**

**WARNING!** Keep plastic films and bags well away from babies and small children. They present a risk of suffocation.

## Scope of delivery / Parts of device

Unpack the Spotting Scope carefully and check that all the items listed below are included:

- 1 Maginon Spotting Scope
- 2 Pouch
- 3 Tripod
- 4 Cleaning cloth
- 5 Eyepiece with eye cups
- 6 Zoom ring (zoom setting 20 to 60x)
- 7 Focusing ring
- 8 Lens cap
- 9 Tripod thread

## Prepare for use

- **Tripod:** Mount Spotting Scope on tripod to ensure stable positioning.
- **Zoom ring:** Rotate the zoom ring to 20x position.
- **Focusing ring:** Point Spotting Scope onto object to be observed. Rotate focusing ring until image is in focus.  
Rotate zoom ring onto the desired setting and finely adjust focus using the focusing ring, where required.

### CAUTION!

**CAUTION!** Never use the Spotting Scope to look directly at the sun, as this can cause blinding or serious, irreparable damage to the eyes!!

## Tips for the correct use of the Spotting Scope

Spotting Scopes are optical high precision instruments. Observe the following information to ensure that the properties of the device are maintained over the long term.

- Hold the Spotting Scope as still as possible. Use the supplied table tripod or another tripod.
- Press the eyecup firmly against your eyebrows or against the far

- distance part of your glasses with the eyecup turned over.
- Use a dry, soft cloth to wipe off spray water (salt water spray) and then dry off the Spotting Scope using a clean and dry, soft lint free cloth.
  - Spotting Scopes are sensitive to excess heat and humidity.
  - Do not subject the Spotting Scope to prolonged exposure to direct sun light.
  - Do not leave Spotting Scope in a closed car parked in the sunshine.
  - Keep Spotting Scope away from water and excessive humidity.
  - Moisture entering the Spotting Scope can damage the glass!
  - Protect the Spotting Scope against impacts, falls and other excessive mechanical effects.

## Cleaning and Storage

### Cleaning

Blow off dust or particles or remove using a soft lens brush. Please use a soft lint free cloth to remove any dirt or fingerprints, and wipe, using a circular motion, from the centre and over the edge of the lens.

An abrasive cloth or excessive rubbing can scratch the lens or cause irreparable damage to the lens coating.

Do not use spectacle cleaning cloth as this can also damage the coating.

Lens cleaning fluid may be used for thorough cleaning.

Never apply cleaning fluid directly onto lens but moisten cleaning cloth with fluid.

GB

IRE

**MAGINON****WARRANTY CARD  
SPOTTING SCOPE  
20-60 X 60**

Your details:

Name \_\_\_\_\_

Address \_\_\_\_\_  
\_\_\_\_\_  
\_\_\_\_\_

\_\_\_\_\_ Email \_\_\_\_\_

Date of purchase\* \_\_\_\_\_

\* We recommend you keep the receipt with this warranty card

Location of purchase \_\_\_\_\_

Description of malfunction:



If after contacting the manufacturer you are requested to return the faulty product please return the completed warranty card together with it:

Sertronics LTD,  
45 Regal Drive,  
Walsall Enterprise Park,  
Walsall, WS2 9HQ, United Kingdom  
info@supra-elektronik.com**AFTER SALES SUPPORT**GB  
IRL**00 800 - 78 77 23 68**

MODEL: 20-60x60

PRODUCT CODE: 69898

06/2016

Phone lines available Monday to Friday, 8am - 6pm. Calls from a landline are toll free, you may be charged when calling from a mobile phone.

**3****YEARS  
WARRANTY**



**Spend a little Live a lot.**

Great care has gone into the manufacture of this product and it should therefore provide you with years of good service when used properly. In the event of product failure within its intended use over the course of the first 3 years after date of purchase, we will remedy the problem as quickly as possible once it has been brought to our attention. In the unlikely event of such an occurrence, or if you require any information about the product, please contact us via our help-line support services, details of which are to be found both in this manual and on the product itself.



**Distributed by:**

**supra** Foto-Elektronik-Vertriebs-GmbH

Denisstr. 28A

67663 Kaiserslautern

Germany

**AFTER SALES SUPPORT**

  **00 800 - 78 77 23 68**

 **info@supra-electronics.com**

Model: **20-60x60** Product code: **69898** 06/2016

**3**  
**YEARS**  
**WARRANTY**